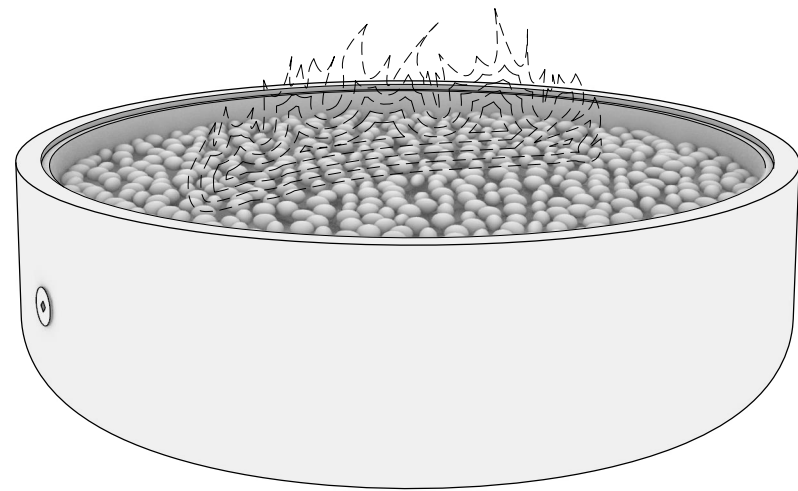
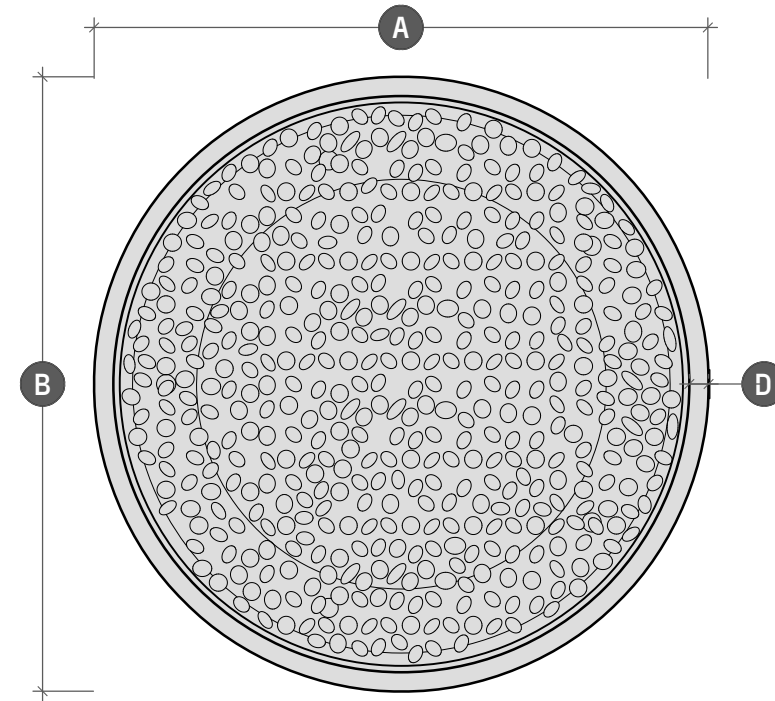


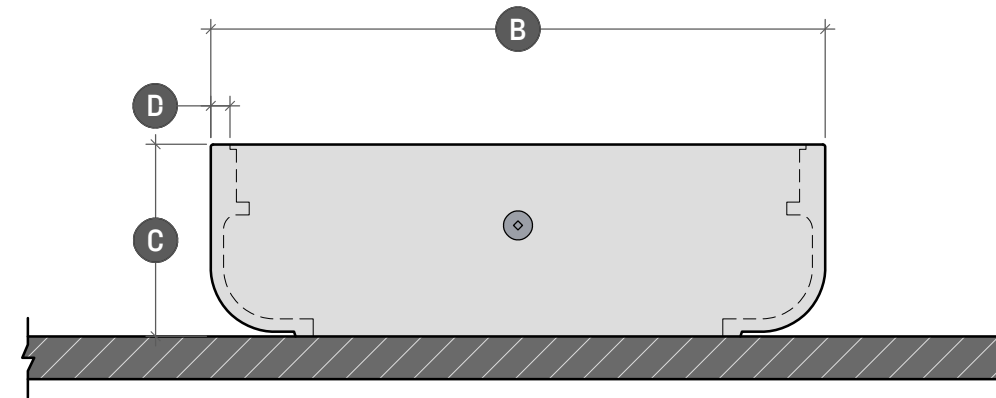
BOLA slim FIRE TABLE



BOs.1.1 PERSPECTIVE VIEW
SCALE: NA



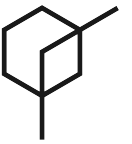
BOs.1.2 PLAN VIEW
SCALE: 1" = 1' - 3"



BOs.1.3 SIDE ELEVATION
SCALE: 1" = 1' - 3"

	BOLA slim 32*	BOLA slim 36*	BOLA slim 42*	BOLA slim 48*
Length	A - 32"	A - 36"	A - 42"	A - 48"
Width	B - 32"	B - 36"	B - 42"	B - 48"
Height	C - 13 15"	C - 13 15"	C - 13 15"	C - 15"
Surface	D - 1 1/2"	D - 1 1/2"	D - 1 1/2"	D - 1 1/2"

	*AVAILABLE IN STANDARD OR low
	Standard height is 15" Low height is 13"



LUMACAST

3261 National Ave
San Diego, CA 92113
t: +1 888 710 1026
www.lumacast.com

PROJECT INFORMATION

PROJECT:
LUMACAST FIRE TABLE
BOLA slim

DESIGNER:
LUMACAST

DRAWING INFORMATION

DRAWING PACKAGE:
2D SHOP DRAWINGS
SHEET CONTENTS:
COVER SHEET

MORE INFORMATION



SCAN TO LEARN MORE

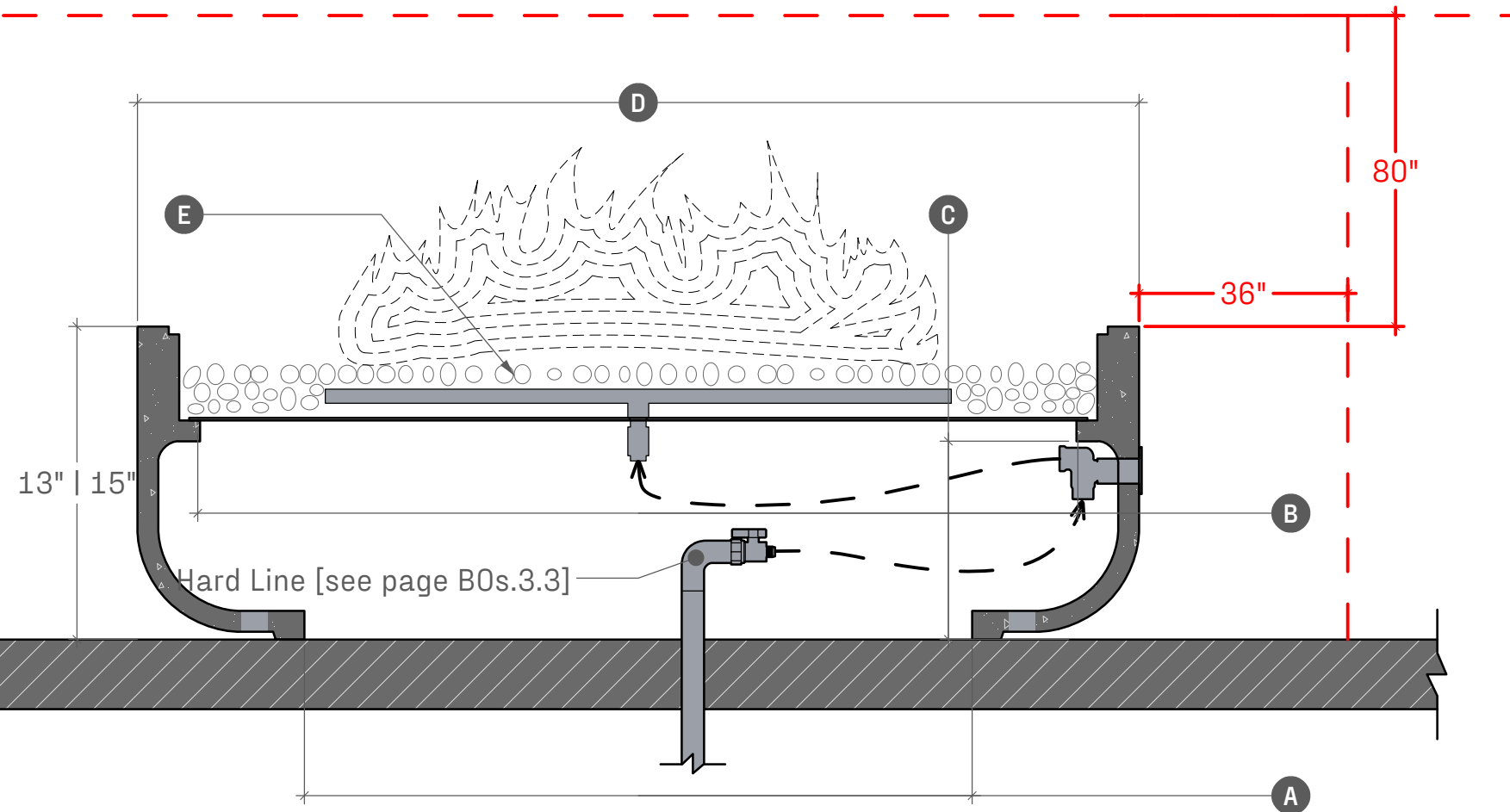
AUTHOR AUTHOR
EGI 10/23

BOs

.1

SHEET NO

MINIMUM CLEARANCES TO COMBUSTIBLES



B0s.2.1 SECTION DETAIL
SCALE: 1" = 0' - 8"

	BOLA slim 32	BOLA slim 36	BOLA slim 42	BOLA slim 48
Opening at Base	A - 20"	A - 20"	A - 26"	A - 32"
Burner Pan Access	B - 16"	B - 20"	B - 26"	B - 32"
Burner Pan Height	C - 7"	C - 7"	C - 7"	C - 9"
Length	D - 32"	D - 36"	D - 42"	D - 48"
Burner Options	E - - -	E - - -	E - - -	E - - -
Stainless Steel Burner	96,000 BTU	120,000 BTU	396,000 BTU	296,000 BTU
Warming Trands Burner	120,000 BTU	140,000 BTU	290,000 BTU	350,000 BTU
Crated Dimensions	35"x35"x23"	39"x39"x23"	45"x45"x23"	51"x51"x23"
Shipping Weight	- 420 LBs	- 515 LBs	- 700 LBs	- 880 LBs
Shell Weight	- 170 LBS	- 190 LBS	- 235 LBs	- 270 LBs

WARNINGS

FOR OUTDOOR USE ONLY

POTENTIAL CARBON MONOXIDE HAZARD

Do not store or use flammable liquids in the vicinity of this product

To be installed by licensed plumber or contractor

TYPICAL CLEARANCES

36" of clearance from the side elevations of the fire table

80" of clearance from the top surface of the fire table

NATURAL GAS SUPPLY

Ensure that the service supplying the fire feature is fitted with a positioned shut off valve that is easily accessible

SUPPLY PRESSURE

Minimum - 3.5" WC

Normal - 7.0" WC

Maximum - 14.0" WC (1/2psi)

- - -

Check with local inspector if any further specifications are required for permitted installations



LUMACAST

3261 National Ave
San Diego, CA 92113
t: +1 888 710 1026
www.lumacast.com

PROJECT INFORMATION

PROJECT:
LUMACAST FIRE TABLE
BOLA slim

DESIGNER:
LUMACAST

DRAWING INFORMATION

DRAWING PACKAGE:
2D SHOP DRAWINGS
SHEET CONTENTS:
SPECIFICATIONS

MORE INFORMATION



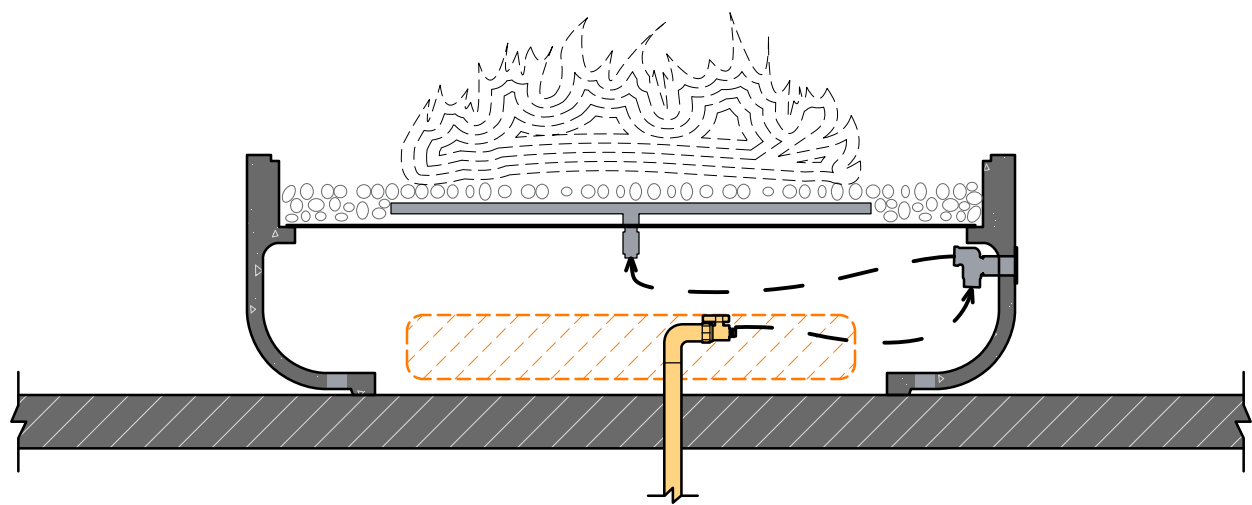
SCAN TO LEARN MORE

AUTHOR AUTHOR
EGI 10/23

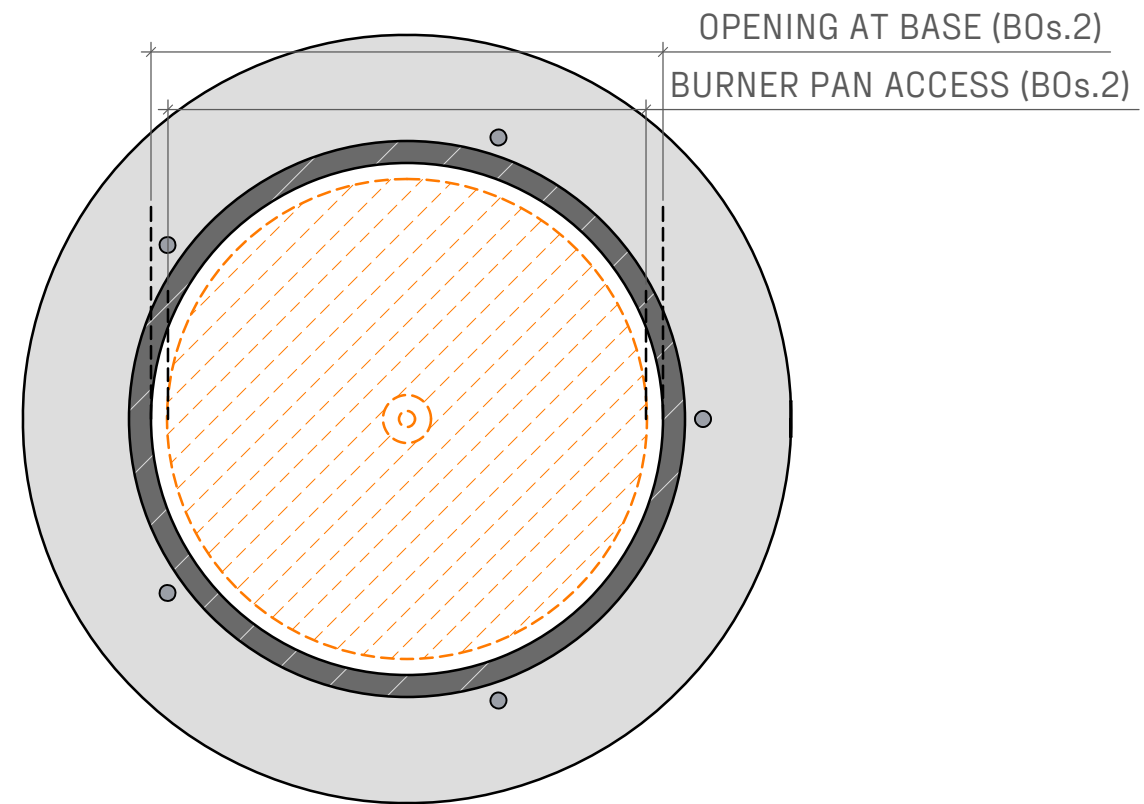
B0s

.2

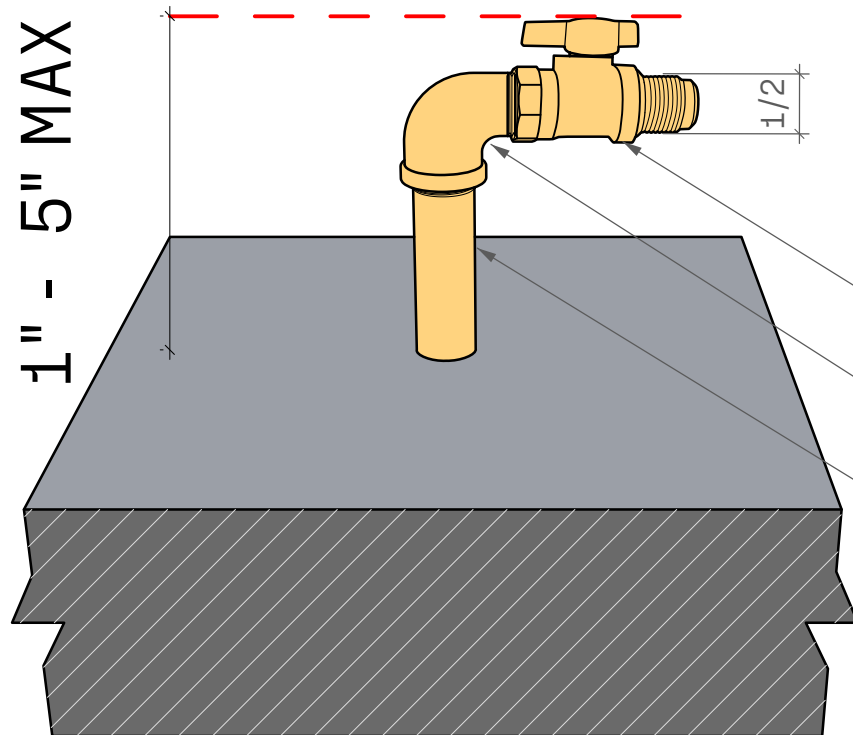
SHEET NO



B0s.3.1 SIDE SECTION
SCALE: 1" = 1' - 0"



B0s.3.2 PLAN VIEW
SCALE: 1" = 1' - 0"



B0s.3.3 PERSPECTIVE
SCALE: n/a

- BRASS FNPT X FLARE GAS BALL VALVE: 1/2"
- STREET ELBOW
- GALVANIZED NIPPLE 3/4" - 1" DEPENDING ON BTU SEE PLUMBER

PLUMBING HARD LINE

For successful installation, hardline stub up should be capped off between 1" and 5" off finished floor.

Lumacast White Glove Delivery and Installation can only be done on IPS Piping



LUMACAST

3261 National Ave
San Diego, CA 92113
t: +1 888 710 1026
www.lumacast.com

PROJECT INFORMATION

PROJECT:
LUMACAST FIRE TABLE
BOLA slim

DESIGNER:
LUMACAST

DRAWING INFORMATION

DRAWING PACKAGE:
2D SHOP DRAWINGS

SHEET CONTENTS:
HARDLINE DIAGRAM

MORE INFORMATION



SCAN TO LEARN MORE

AUTHOR	AUTHOR
EGI	10/23

B0s

.3

SHEET NO